



WELDEEZY



COMPANY

PROFILE

www.weldeezy.com
www.hdpefittings.in







ABOUT US

WELDEEZY has been a trusted leader in Industrial Pipes and Fittings since 2005, catering to a wide range of industries, including Desalination Plants, Effluent Treatment Plants, Chemicals, Pharmaceuticals, and Biomass Power Plants.

PRODUCTS & SERVICES

We specialize in providing high-quality HDPE and PP products, ensuring reliable and efficient piping solutions to prevent leaks, clogging, and system failures. Our offerings include:

-  **HDPE Fittings** (Stub Ends, Flanges, Bends, Tees, Reducers, Puddle Flanges, etc.) up to 1600mm OD.
-  **Custom HDPE Products:** Tanks, Reaction Vessels, Scrubbers (up to 3600mm Dia).
-  **Butt-Welding Machines** and tailor-made solutions.
-  **Welding & Laying Services** for HDPE/PP pipes.

MANUFACTURING & R&D

Our manufacturing unit near Chennai, Tamil Nadu, adheres to Indian and International Standards, backed by a dedicated team and advanced R&D facilities. Our continuous innovation has led to the development of specialized welding machines and HDPE solutions.

AWARDS & RECOGNITION

2012 Awarded by the Ministry of Chemicals & Fertilizers for developing a specialized Butt-Fusion Machine.

2015 Recognized for creating a unique marine HDPE product.

First in India: Fabricated an unequal tee (1600x450x1600 mm) using Sidewall Fusion Welding for ILFS Power Project Ltd, Cuddalore.

Best Service Contractor Award: For executing HDPE piping work at India's largest desalination plant near Chennai.

HDPE PIPES AND PIPE FITTINGS



T
A
R
G
E
T
S

A
C
H
I
E
V
E



HDPE PIPES



HDPE UNEQUAL TEE



HDPE BEND 90°



HDPE BEND 90°



HDPE BEND 45°



HDPE CROSS



HDPE "Y" TEE



HDPE STUBEND



HDPE CONCENTRIC REDUCER



HDPE ECCENTRIC REDUCER



HDPE END CAP



FABRICATED TEE

* MFR Std available-Higher Diameter available on request

● PIPES ● FITTINGS ● VALUES ● SHEETS ● WELDING

HDPE PIPES

IS: 4984:2016 / IS 14333:2016/ ISO 4427:2019



T A R G E T S
A C H I E V E

● PIPES ● FITTINGS ● VALUES ● SHEETS ● WELDING

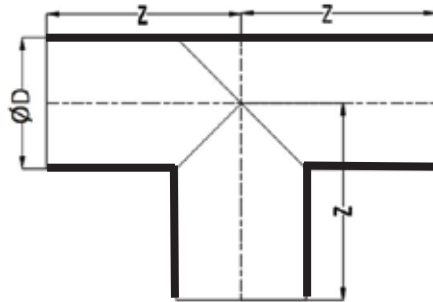


SDR	SDR 41		SDR 33		SDR 26		SDR 21		SDR 17		SDR 13.6		SDR 11		SDR 9	
	Nominal Pressure (PN) Bar		PN 4		PN 5		PN 6		PN 8		PN 10		PN 12.5		PN 16	
PE100 "Nominal OD DN"	eMin mm	eMax mm	eMin mm	eMax mm	eMin mm	eMax mm	eMin mm	eMax mm	eMin mm	eMax mm	eMin mm	eMax mm	eMin mm	eMax mm	eMin mm	eMax mm
	16	-	-	-	-	-	-	-	-	-	-	-	-	-	-	1.8
20	-	-	-	-	-	-	-	-	-	-	-	-	-	-	2.3	2.6
25	-	-	-	-	-	-	-	-	-	-	-	-	-	-	2.8	3.2
32	-	-	-	-	-	-	-	-	-	-	-	-	-	-	3.6	4.1
40	-	-	-	-	-	-	-	-	-	-	-	-	-	-	4.5	5.1
50	-	-	-	-	-	-	-	-	-	-	-	-	-	-	5.6	6.3
63	-	-	-	-	-	-	-	-	-	-	-	-	-	-	7	7.8
75	1.9	2.2	2.3	2.6	2.5	2.9	3	3.4	3.7	4.2	4.7	5.3	5.8	6.5	7	7.8
90	2.2	2.5	2.8	3.2	2.9	3.3	4	4.1	4.5	5.1	5.6	6.3	6.9	7.7	8.4	9.3
110	2.7	3.1	3.4	3.8	3.5	4	4.3	4.8	5.3	6.0	6.7	7.5	8.2	9.1	10	11.1
125	3.1	3.5	3.8	4.3	4.3	4.8	5.3	5.9	6.5	7.3	8.1	9	10	11.1	12.3	13.6
140	3.5	4	4.3	4.8	4.8	5.4	6	6.7	7.4	8.2	9.2	10.2	11.4	12.7	13.9	15.4
160	3.9	4.4	4.9	5.5	6.2	6.9	7.7	8.6	9.5	10.6	11.8	13.1	14.6	16.2	17.8	19.7
180	4.4	4.9	5.5	6.2	7	7.8	8.6	9.6	10.6	11.8	13.3	14.7	16.4	18.1	20	22.1
200	4.9	5.5	6.1	6.8	7.7	8.6	9.6	10.7	11.8	13.1	14.7	16.3	18.2	20.1	22.3	24.6
225	5.5	6.2	6.9	7.7	8.7	9.7	10.8	12	13.3	14.7	16.6	18.4	20.5	22.7	25	27.6
250	6.1	6.8	7.6	8.5	9.7	10.8	12	13.3	14.7	16.3	18.4	20.3	22.8	25.2	27.8	30.7
280	6.9	7.7	8.5	9.5	10.8	12	13.4	14.8	16.5	18.3	20.6	22.8	25.5	28.2	31.2	34.4
315	7.7	8.6	9.6	10.7	12.2	13.5	15	16.6	18.6	20.6	23.2	25.6	28.7	31.7	35	38.6
355	8.7	9.7	10.8	12	13.7	15.2	16.9	18.7	20.9	23.1	26.1	28.8	32.3	35.6	39.5	43.6
400	9.8	10.9	12.2	13.5	15.4	17	19.1	21.1	23.6	26.1	29.5	32.6	36.4	40.1	44.5	49.1
450	11	12.2	13.7	15.2	17.3	19.1	21.5	23.8	26.5	29.3	33.1	36.5	40.9	45.1	50	55.1
500	12.2	13.5	15.2	16.8	19.3	21.3	23.9	26.4	29.5	32.6	36.8	40.6	45.5	50.2	55.6	61.3
560	13.7	15.2	17	18.8	21.6	23.9	26.7	29.5	33	36.4	41.2	45.4	50.9	56.1	62.3	68.6
630	15.4	17	19.1	21.1	24.3	26.8	30	33.1	37.1	40.9	46.4	51.1	57.3	63.1	70	77.1
710	17.3	19.1	21.6	23.9	27.3	30.1	33.9	37.4	41.8	46.1	52.2	57.5	64.6	71.2	78.9	86.9
800	19.5	21.6	24.3	26.8	30.8	34	38.1	42	47.1	51.9	58.9	64.9	72.8	80.2	88.9	97.9
900	22	24.3	27.3	30.1	34.7	38.3	42.9	47.3	53	58.4	66.2	72.9	81.9	90.2	100	110.1
1000	24.4	26.9	30.3	33.4	38.5	42.5	47.7	52.6	58.9	64.9	73.6	81.1	90.9	100.1	111.2	122.4
1200	29.3	32.3	36.4	40.1	46.2	50.9	57.2	63	70.6	77.8	88.3	97.2	109.1	120.1	-	-
1400	34.1	37.6	42.5	46.9	53.9	59.4	66.7	73.5	82.4	90.7	103	113.4	-	-	-	-
1600	39	43	48.5	53.5	61.6	67.9	76.2	83.9	94.2	103.7	117.7	129.6	-	-	-	-
1800	43.9	48.4	54.6	60.2	69.3	76.3	85.8	94.5	105.9	116.6	-	-	-	-	-	-
2000	48.8	53.8	60.6	66.8	77	84.8	95.3	104.9	117.7	129.6	-	-	-	-	-	-

Wall Thickness

FABRICATED TEE

IS: 8360



Size/mm	Z / mm
90	135
110	165
125	188
140	210
160	240
180	270
200	300
225	338
250	375
280	420
315	473
355	533
400	600
450	675
500	750
560	840
630	945
710	1065
800	1200

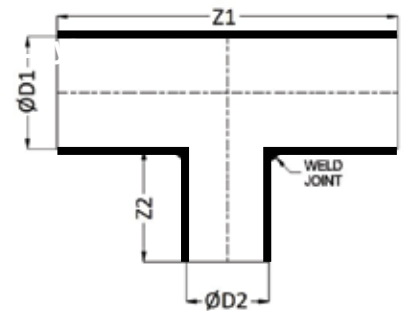


T A R G E T S

*MFR Std available-Higher Diameter available on request

HDPE FABRICATED UNEQUAL TEE

Size/mm	Size/mm (D2)	Size/mm (Z1)	Size/mm (Z2)
140	125/110/90	375	150
160	140/125/110/90	395	150
180	160/140/125/110	395	150
200	180/160/140/125	395	150
225	200/180/160/140	455	150
250	225/200/180/160	455	150
280	250/225/200/180	495	150
315	280/250/225/200	495	150
355	315/280/250/225	540	150
400	355/315/280/250	540	150
450	400/355/315/280	595	150
500	450/400/355/315	595	150
560	500/450/400/355	660	150

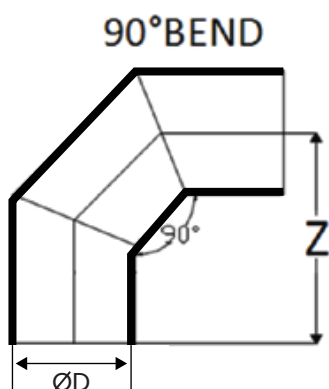


*MFR Std available-Higher Diameter available on request

AC H I E V E

HDPE FABRICATED BEND 90°

IS: 8360 - 1977



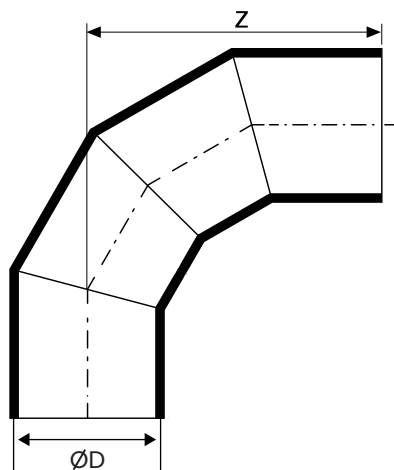
*MFR Std available-Higher Diameter available on request

Size/mm Z / mm

63	108
75	128
90	154
110	188
125	213
140	239
160	273
180	307
200	341
225	384
250	427
280	478
315	538
355	606
400	683
450	769
500	855
560	780
630	1077
710	1214
800	1368

HDPE FABRICATED BEND 90°

IS: 8360 - 2022



*MFR Std available-Higher Diameter available on request

Size/mm Z / mm

63	244
75	262
90	285
110	315
125	337
140	360
160	389
180	419
200	449
225	487
250	624
280	669
315	771
355	831
400	899
450	974
500	1098
560	1188
630	1293
710	1413
800	1547

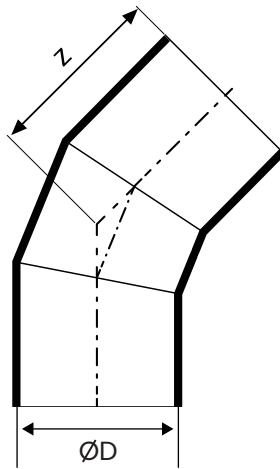


T A R G E T S

A C H I E V E

HDPE FABRICATED BEND 45°

IS: 8360: 2022

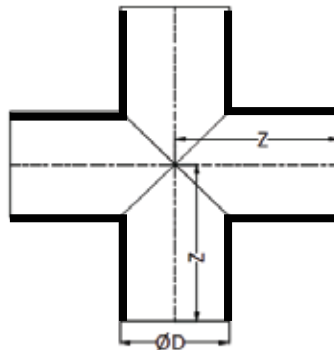


Size/mm	Z / mm
63	323
75	336
90	352
110	373
125	389
140	405
160	426
180	447
200	468
225	495
250	692
280	724
315	846
355	889
400	937
450	990
500	1128
560	1192
630	1266
710	1351
800	1446

*MFR Std available-Higher Diameter available on request

HDPE FABRICATED CROSS

IS: 8360: 2022



Size/mm	Z / mm
90	135
110	165
125	188
140	210
160	240
180	270
200	300
225	338
250	375
280	420
315	473
355	533
400	600
450	675
500	750
560	840
630	945
710	1065
800	1200

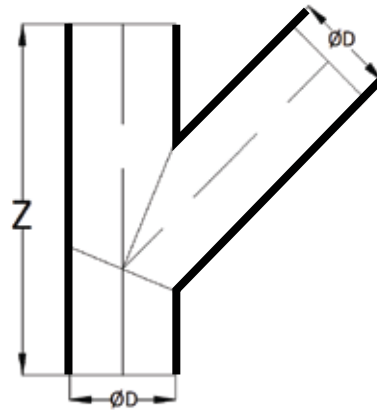
*MFR Std available-Higher Diameter available on request



T A R G E T S

A C H I E V E

HDPE FABRICATED "Y" TEE



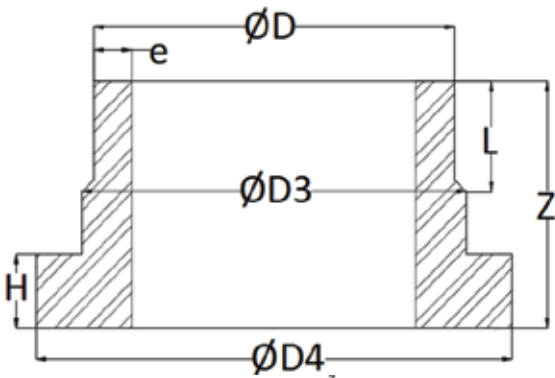
Size/mm	Z / mm
90	135
110	165
125	188
140	210
160	240
180	270
200	300
225	338
250	375
280	420
315	473
355	533
400	600
450	675
500	750
560	840
630	945
710	1065
800	1200



T A R G E T S

*MFR Std available-Higher Diameter available on request

HDPE STUBEND - MOLDED IS 8008:2022



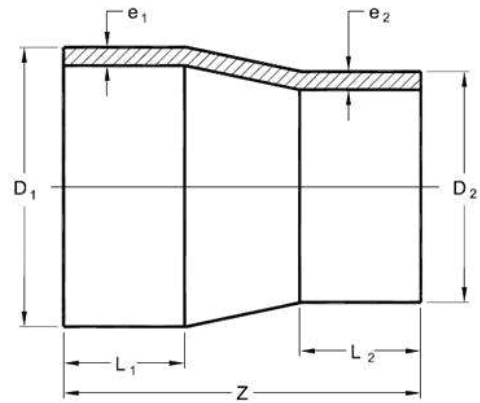
Size/mm	D4	D3	Z	H	L
20	47	28	50	7	28
25	57	34	50	9	24
32	67	40	50	10	27
40	78	49	50	11	24
50	88	60	50	12	23
63	103	72	50	14	16
75	123	84	50	16	14
90	138	99	80	17	43
110	158	119	80	18	37
125	188	134	80	25	35
140	188	150	80	25	27
160	214	170	80	25	27
180	214	190	80	30	20
200	269	210	100	32	28
225	269	235	100	32	38
250	320	261	100	35	25
280	320	291	100	35	35
315	370	327	100	35	25
355	430	373	120	40	40
400	482	427	120	46	29
450	545	475	130	60	10
630	685	642	120	60	20

*MFR Std available-Higher Diameter available on request

AC H I E V E

HDPE CONCENTRIC REDUCER-MOLDED

IS 8008: 2022

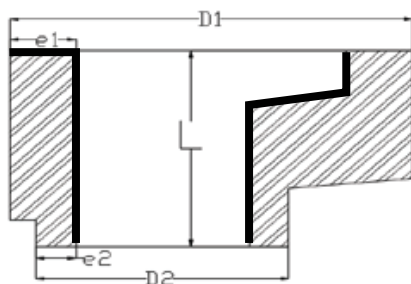


*MFR Std available-Higher Diameter available on request

Size /mm	D2/mm	L1/mm	L2/mm	Z/mm
25	20	18	15	50
32	25/20	18/18	15/15	50/50
40	32/25/20	18/18/18	15/15/15	60/60/60
50	40/32/25	18/18/18	15/15/15	65/65/65
63	50/40/32	18/18/18	15/15/15	70/70/70
75	63/50/40	19/19/19	16/15/15	70/70/70
90	75/63/50	20/24/24	21/16/15	80/80/80
110	90/75/63/50	30/30/30/30	24/21/18/18	95/95/95/130
125	110/90/75/63	34/34/34/34	30/24/21/18	105/105/105/137
140	125/110/90/75	37/37/37/37	34/30/24/20	115/115/115/146
160	140/125/110/90	42/42/42/42	37/34/30/24	125/125/125/162
180	160/140/125/110	47/47/47/47	42/37/34/34	135/135/135/173
200	180/160/140/125/110	52/52/52/52/52	47/42/34/34/30	140/140/140/189/206
225	200/180/160/140/125	57/57/57/57/57	52/47/42/34/30	165/165/165/228/245
250	225/200/180/160/140	62/62/62/62/62	57/52/47/42/37	180/1850/180/228/250
280	250/225/200/180/160	72/72/72/72/72	62/57/52/47/42	205/205/205/256/279
315	280/250/225/200/180	82/82/82/82/82	72/62/57/52/47	230/230/230/292/314
355	315/280/250/225/200	90/90/90/90/90	82/72/62/57/52	227/265/2968/325/355
400	355/315/280/200	90/90/90/90	90/82/72/52	242/289/327/417

*MFR Std available-Higher Diameter available on request

HDPE ECCENTRIC REDUCER -MOLDED

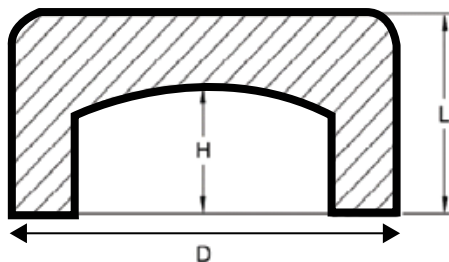


* MFR Std available-Higher Diameter available on request

Size/mm	D2/mm	L/mm
63	50	50
75	63	50
90	75	75
110	90	110
125	90	110
140	125	110
160	140	140
180	140	140
200	160	140
225	180	140
250	200	140
280	225	140
315	280	140
355	315	140
400	355	140
450	400	150
500	450	150
630	450	200
710	630	220
800	710	220
900	800	250

HDPE END CAP

IS 8008: 2022 - IS: 8008:1977



* MFR Std available-Higher Diameter available on request


SIZE/mm	DEPTH/mm/H	LAYING/mm/L
32	7	20
40	7	20
50	7	20
63	7	20
75	7	20
90	7	20
110	7	20
125	20	40
140	20	40
160	20	40
180	20	40
200	20	40
225	30	60
250	30	60
280	30	60
315	30	60
355	50	80
400	50	80
450	50	80
500	50	80
560	50	80
630	50	80
710	50	100
800	50	100





We are manufacturers of tailor made HDPE Tanks, Reaction Vessels, Scrubbers of size 3600mm Dia for capacity ranging upto 60000 litres. While thanking you for looking into our profile, we assure you of our best services at all times and we await to serve your Esteemed Organization.




PIPES - FITTINGS - VALVES - SHEETS
WELDING- EF/COMPRESSION FITTINGS

 044-42614343
+91 814 818 88 88

 weldeezydinesh@yahoo.com
weldeezy8148188888@gmail.com

 **Registered Office:**
C-6, Viji Flats, No. 37, Pinjala Subramaniam Street,
T. Nagar, Chennai - 600 017.

 **Corporate Office:**
3rd Floor, 31/1, Murali Street,
Mahalingapuram, Nungambakkam - 600 034.

 **Factory:**

Tamil Nadu - Unit 1 - No. 137, No. 11, T.S. No. 4/2, 4/3, 1289/1, 1293/1,
Iyyanarappan Kovil Street, Endathur Road,
Madhuranthagam, Chengalpattu - 603 306.

Karnataka - Unit 2 - 22/985, Raghavapalaya, JP Nagar,
9th Phase, Bangalore - 560078.